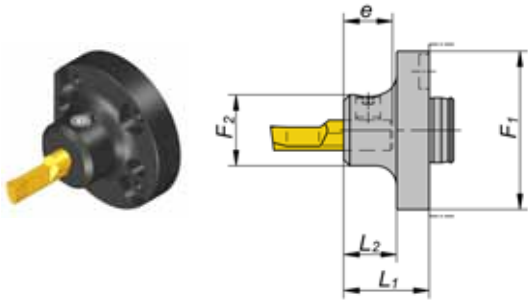


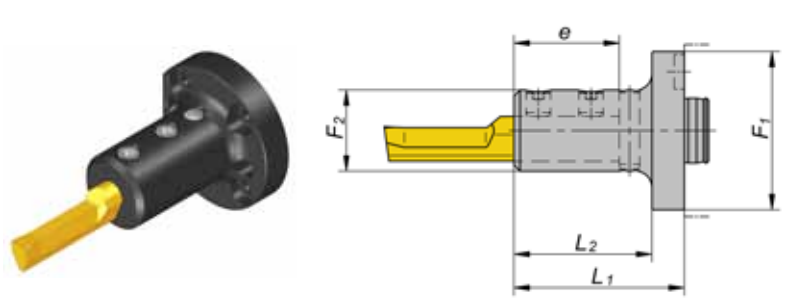
HORN insert holder type SB105/SB110

Keyways, chamfers, hexagon sockets, TORX®, splines

SB105



SB110

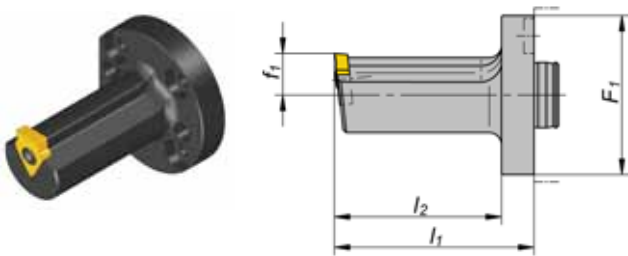


Type	HORN Item No.	Bore Ø from	Groove width DIN138 DIN6885	F1	F2	L1	L2	e	Horn insert type
SB105	SB105.1816.W1.01	6	2, 3, 4	39	17.5	21	15	12	N105
SB110	SB110.2016.W1.02	9	4, 5	39	20.0	42	36	26	N110

HORN insert holder type SH117

Keyways, splines

SH117



Type	HORN Item No.	Bore Ø from	Groove width DIN138 DIN6885	F1	f1	l1	l2	Insert-holder form	Horn insert type
SH117	SH117.1716.W1.10	17	5, 6	39	8.3	49	41	10	S117
SH117	SH117.2216.W1.10	22	6, 7, 8	39	10.6	49	41	10	S117
SH117	SH117.2616.W1.16	26	10, 12	39	12.6	49	41	14	S117
H117	H117.0016.4831	–	Splines	39	11.5	49	41	–	S117

Dimensions in mm
Additional holders available from Paul Horn GmbH on request.
Inserts are not included.